

LEGEND

- Oil Drainage: 1300mm CLASS 500 SPIGOT AND SOCKET PIPES WITH NEOPRENE RINGS LAID ON CLASS 'B' BEDDING
- Storm Water Drainage: VARIOUS DIAMETER CONCRETE PIPES CLASS 500 ON TYPE 'B' BEDDING
- Sub-Soil Drain: +1, +2 OR +3 1160 mm PVC SLOTTED PIPES WITH FALL 1:100 MIN. SEE DRG 0.54/390 SHT 12B
- 1160 mm PVC SEWER PIPE - MIN. SLOPE 1:60
- TYPE 1 BRICK MANHOLE - FOR DETAILS SEE DRG 0.54/390 sh 1
- PIPE OUTLET STRUCTURE - FOR DETAILS SEE DRG 0.54/390 SH 13

- NOTES:**
- THE PROPERTY TO BE FENCED-OFF WITH A STANDARD BOUNDARY TYPE FENCE 1,2m HIGH CONSISTING OF 6 RUNS OF SINGLE H.T. STEEL STRAND GALV. WIRE BEFORE COMMENCEMENT OF ANY CONSTRUCTION ACTIVITIES
 - CUT-OFF DRAINS AROUND THE PROPOSED CONSTRUCTION SITE TO BE INSTALLED TO MINIMISE THE RISK OF POLLUTION OF RUNOFF WATER ONTO AND OFF THE CONSTRUCTION SITE
 - THE DRAINAGE SYSTEM CONSIST OF A NETWORK OF SUBSOIL DRAINS CONNECTED TO CONCRETE PIPES WHICH ARE LINKED TO OUTLET STRUCTURES WITH A STILLING BASIN AND GRASSED SPREADER BOX BEFORE THE WATER RUN TO THE NATURAL WATER COURSES
 - THE FIRE PROTECTION SYSTEM CONSIST OF A PIPE NETWORK TO CONVEY OIL IN THE CASE OF A OIL SPILL TO THE OPEN OIL HOLDING DAM FROM WHERE THE OIL CAN BE RECOVERED WITHOUT THE RISK OF POLLUTION.
 - SIDES OF TERRACES COVERED WITH TOPSOIL TO BE GRASSED, OR AREAS USED FOR CONSTRUCTION SITES AND STORAGE/STOCKPILE TO BE REHABILITATED AFTERWARDS AND GRASSED
 - SEWER TREATMENT PLANT: CALCAMITE WASTE WATER TREATMENT PLANT. BIO-MITE 10 SYSTEM CONSISTING OF SEPTIC TANK CHAMBER THEN A BIOLOGICAL REACTOR PLANT AND FOLLOWED BY A CHAMBER WITH THE CHLORINATION ACCESS PIPE. TREATED WATER TO BE DISPERSE INTO THE VELD

PROPOSED PROPERTY CO-ORDINATES SYSTEM WGS 84 Lo 27f

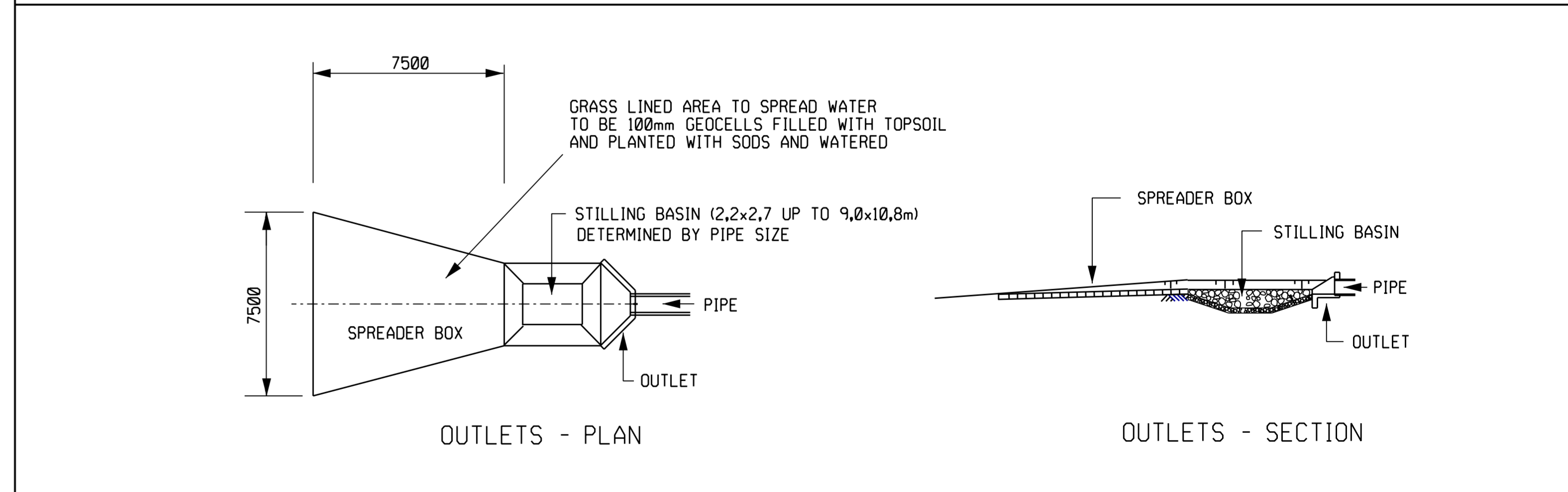
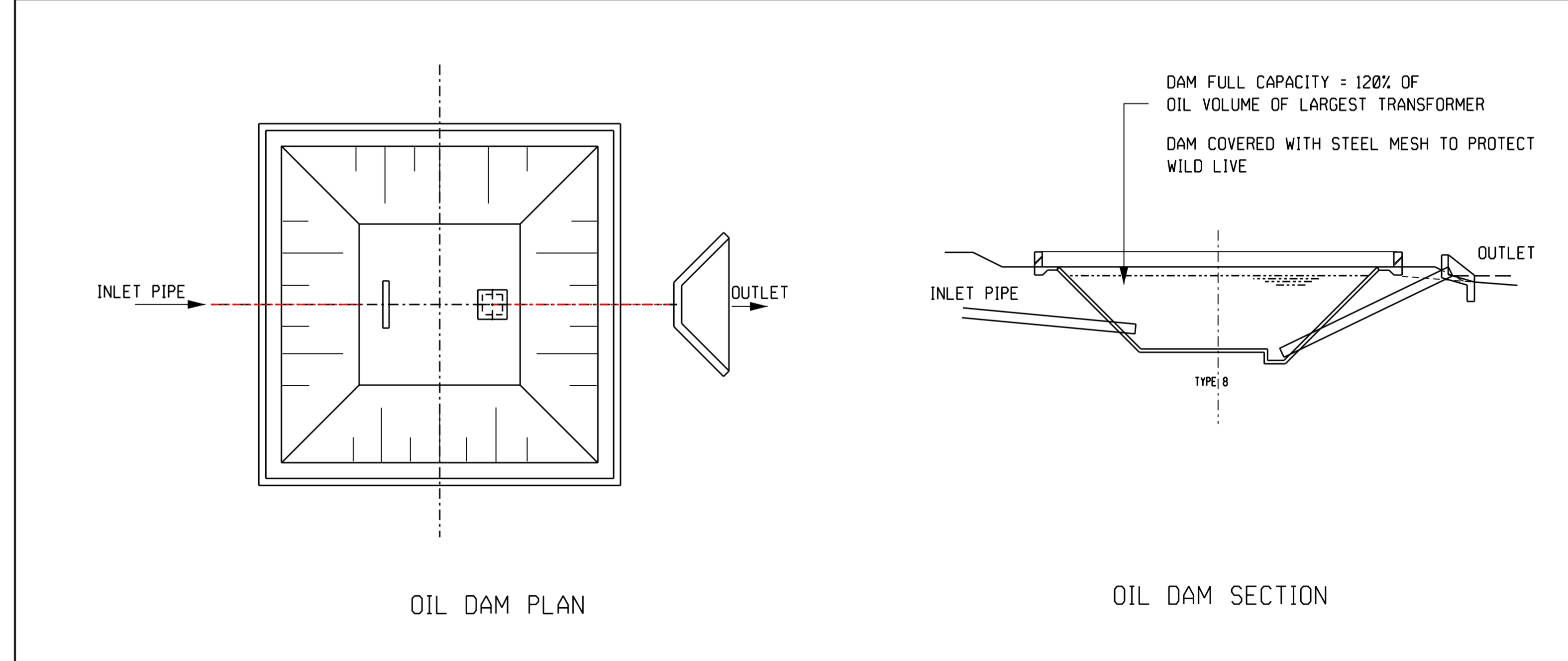
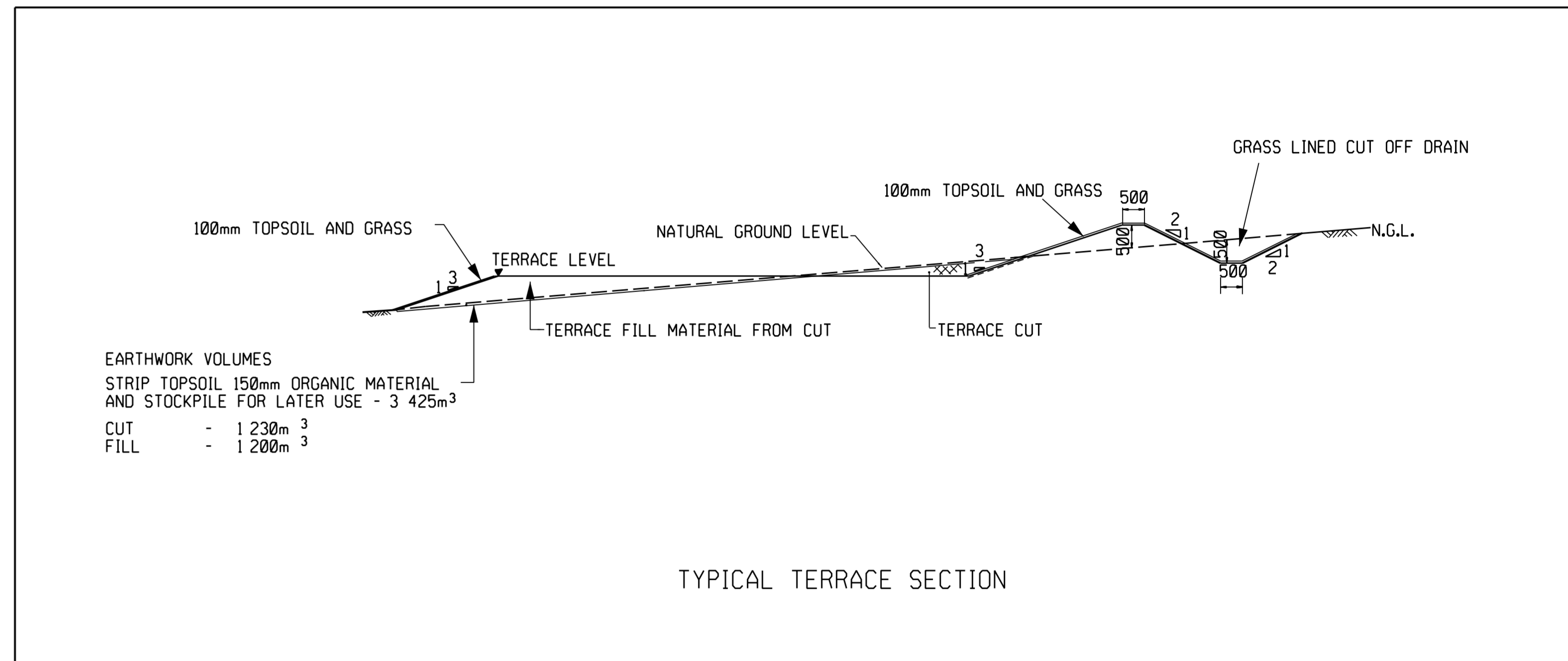
POINT	Y	X
A	23 844,15	2 755 558,11
B	23 158,66	2 755 677,71
C	23 278,25	2 756 163,19
D	23 763,74	2 756 043,60

TERRACE CO-ORDINATES SYSTEM WGS 84 Lo 27f

POINT	Y	X
TA	23 559,61	2 755 759,99
TB	23 427,92	2 755 793,98
TC	23 464,82	2 755 936,94
TD	23 596,50	2 755 902,96

ACCESS AND TERRACE ROAD CO-ORDINATES SYSTEM WGS 84 Lo 27f

POINT	Y	X
R0	23 135,19	2 755 657,08
R1	23 371,86	2 755 864,33
R2	23 557,54	2 755 816,41



PRELIMINARY FOR PLANNING PURPOSES ONLY

LAYOUT SCALE 1:1000

NOT FOR CONSTRUCTION
 ISSUE DATE: TODAY'S DATE

DWAALBOOM - SITE B

NOTES:
 1. The figure ABCD represents the proposed Site B.
 2. Coordinate System is WGS 27.
 3. Height Datum is Mean Sea Level.
 4. Contour Interval is 0,50m.

SCALE AS SHOWN

REV	REVISION DESCRIPTION	DRAWN	CHECK	DATE	REFERENCE DRAWINGS
0	FIRST ISSUE				

APPROVED BY: **Eskom** ESKOM HOLDINGS LIMITED REG No. 2002/015527/06

DATE SEPT 2013
 DRAWN BY: **DWAALBOOM**
 CHECKED BY: **DWAALBOOM**
 DATE SEPT 2013
 SCALE AS SHOWN

DWAALBOOM SITE LAYOUT
 SHEET NUMBER: 08/20176
 REVISION: 0